

Model Number

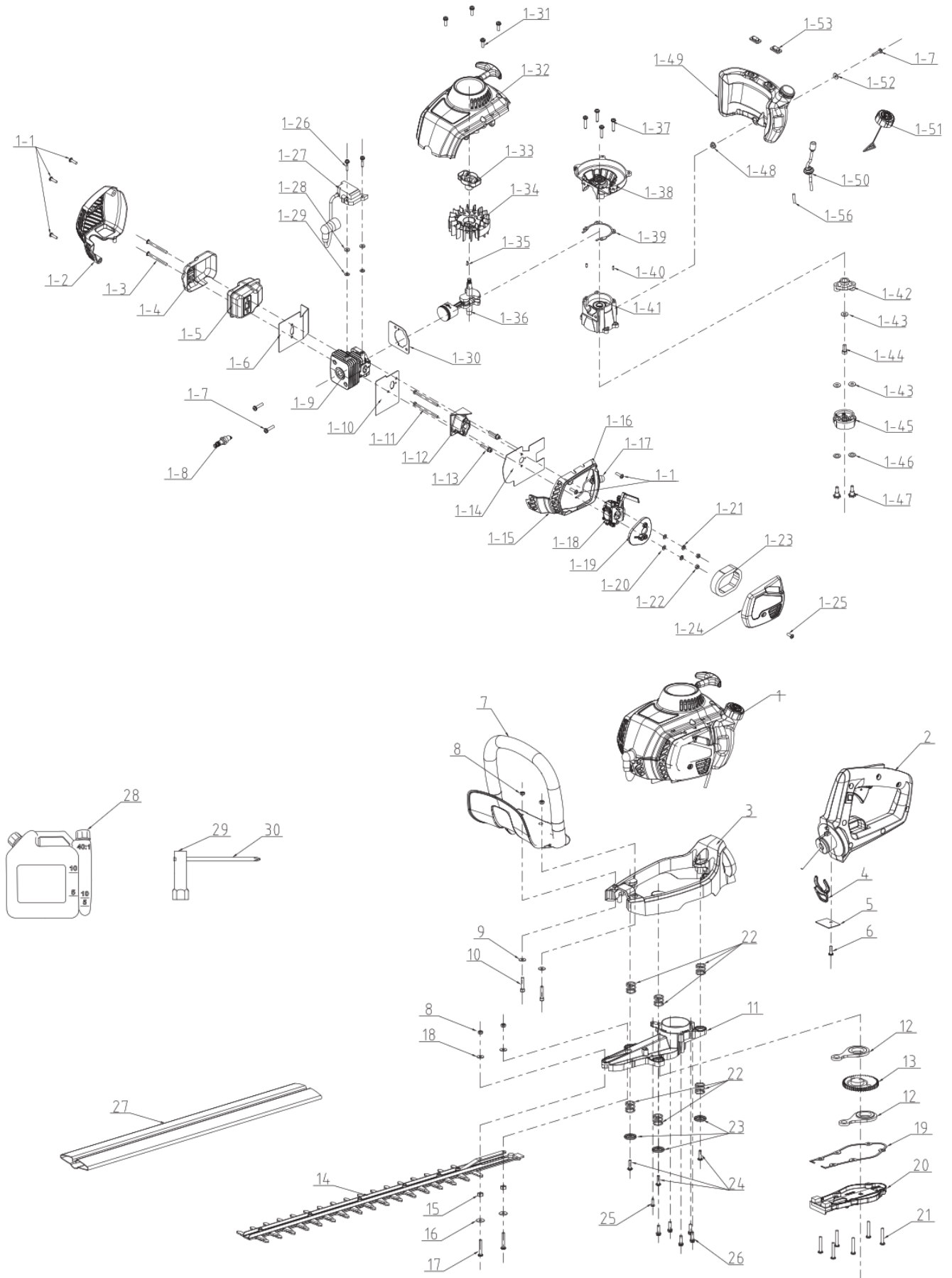
Kingfisher      FPHT26-3



26cc Petrol Hedge Trimmer

Parts Manual

# Exploded Diagram



## Parts List

Part ID	Apelson PN	MPN	Part Description	Qty
1-1	P000703600	P000703600	SCREW ST4.5*16L	5
1-2	P810201200	P810201200	MUFFLER COVER	1
1-3	P000701800	P000701800	MUFFLER BOLT M5X56L	2
1-4	P800500600	P800500600	MUFFLER HEAT INSULATION COVER	1
1-5	P800001600	P800001600	MUFFLER	1
1-6	PA00600100	PA00600100	MUFFLER GASKET	1
1-7	P000701000	P000701000	SCREW M5X23L	3
1-8	P000701500	P000701500	SPARK PLUG	1
1-9	PA00400100	PA00400100	CYLINDER 26CC	1
1-10	P810600000	P810600000	CARBURETOR GASKET	1
1-11	P000703900	P000703900	HEX BOLT M5*68L	2
1-12	P810200200	P810200200	CARBURETOR SEAT	1
1-13	P000700500	P000700500	SCREW M5X25	2
1-14	P800600000	P800600000	CARBURETOR GASKET	1
1-15	P810201100	P810201100	AIR FILTER MANTLE	1
1-16	P800300200	P800300200	OIL TUBE 3	1
1-17	P800000100	P800000100	OIL BULB	1
1-18	PA00001602	PA00001602	CARBURETOR	1
1-19	PA00001500	PA00001500	AIR FILTER SEAT	1
1-20	P000701900	P000701900	WASHER C5XC10	2
1-21	P000700800	P000700800	SPRING WASHER	2
1-22	P000700600	P000700600	NUT M5	2
1-23	PB00600200	PB00600200	SPONGE	1
1-24	PA10200000	PA10200000	AIR FILTER COVER	1
1-25	P800701800	P800701800	SCREW M5X14	1
1-26	P800700700	P800700700	SCREW M4X23L	2
1-27	P800100200	P800100200	IGNITION COIL ASM	1
1-28	P800300500	P800300500	BAKELITE WASHER	2
1-29	PB00700700	PB00700700	WASHER 4	2
1-30	PA00600000	PA00600000	CYLINDER GASKET	1
1-31	PB00700400	PB00700400	SCREW	4
1-32	P800100300	P800100300	STARTER COVER ASM	1
1-33	P800002300	P800002300	STARTUP DISK ASM	1
1-34	P800002000	P800002000	FLYWHEEL	1
1-35	P800700200	P800700200	WOODRUFF KEY	1
1-36	P820100300	P820100300	CRANK SHAFT & PISTON ASM.	1
1-37	P000702100	P000702100	SCREW M5X28L	4
1-38	P800100000	P800100000	REAR CRANKCASE ASM	1
1-39	P800600100	P800600100	CRANKCASE GASKET	1
1-40	P800700400	P800700400	LOCATING PIN 3X8	2
1-41	P800100100	P800100100	FRONT CRANKCASE ASM	1
1-42	P810400000	P810400000	CLUTCH SEAT	1
1-43	P800701000	P800701000	GASKET 6	3
1-44	P001700000	P001700000	SCREW M6*16	1
1-45	P800001700	P800001700	CLUTCH	1
1-46	PJ10502700	PJ10502700	WAVE WASHER	2

1-47	PJ10502800	PJ10502800	BOLT	2
1-48	P800300400	P800300400	BAKELITE WASHER	1
1-49	P800002400	P800002400	FUEL TANK	1
1-50	P820100400	P820100400	OIL PIPE SEAT ASM	1
1-51	P010100304	P010100304	FUEL TANK CAP, ASM 40:1	1
1-52	P800700800	P800700800	GASKET	1
1-53	P000300300	P000300300	CUSHION OF FUEL TANK	2
2	P801100000	P801100000	CONTROL HANDLE ASM.	1
3	P801200000	P801200000	RACK	1
4	P801201000	P801201000	BUCKLE	1
5	P801501800	P801501800	SAFETY COVER	1
6	P000703600	P000703600	SCREW ST4.5*16L	1
7	P821100500	P821100500	SECOND HANDLE ASM	1
8	P000700600	P000700600	NUT M5	4
9	P000702000	P000702000	WASHER	2
10	P001700800	P001700800	SCREWM5X25	2
11	P801100100	P801100100	GEARCASE ASM	1
12	P801000000	P801000000	ROD ASM	2
13	P801500700	P801500700	GEAR	1
14	P801100300	P801100300	BLADE ASM	1
15	P801500000	P801500000	LOCATING SLEEVE	2
16	P800700800	P800700800	GASKET	2
17	P800701600	P800701600	SCREW M5X32L	2
18	P000700800	P000700800	SPRING WASHER	2
19	P801600000	P801600000	GEARCASE GASKET	1
20	P801100200	P801100200	GEAR CASE COVER ASM	1
21	P801700400	P801700400	SCREWST5X25	6
22	P801501700	P801501700	DAMPING SPRING	6
23	P801500400	P801500400	SPRING-LEAF RETAINER	3
24	PB00700600	PB00700600	SCREW OF TERMINAL PAD	3
25	P000702700	P000702700	SCREW (NOT SHOW)	1
26	P801700100	P801700100	SCREWM5X30	5
27	P801201800	P801201800	SCABBARD	1
28	PB02200100	PB02200100	RATIO BOTTLE	1
29	P802500000	P802500000	SLEEVE	1
30	P012500500	P012500500	SCREW DRIVE	1